

Self-cleaning filter art. FI 00/FI 00x



Self-cleaning filter FI 00/FI 00x is suitable to perform filtering function in water plants, thus effectively protecting downwards components from damages caused by dirt. Entirely made of brass, the device is equipped with removable filtering cartridge, inlet and outlet pressure gauges and drainage tap. Available with female connections from 1/2" to 2", with porosity 100 or 300 μm .

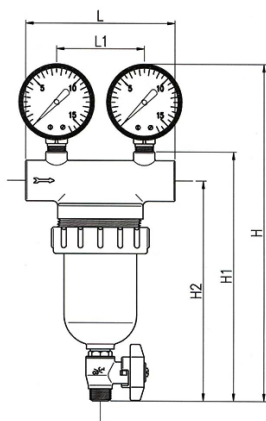
TECHNICAL FEATURES

Contact fluid: water
 Max inlet pressure: 25 bar
 Max fluid temperature: 130 °C
 Filter cartridge porosity: 100 μm and 300 μm
Filter cartridges with different porosity available upon request.

MATERIALS

Body: CB753S brass
 Ring nut: CW617N brass
 Filtering cartridge: stainless steel AISI 304
 Sealing parts and o-rings: NBR
 Plastic parts: PA66

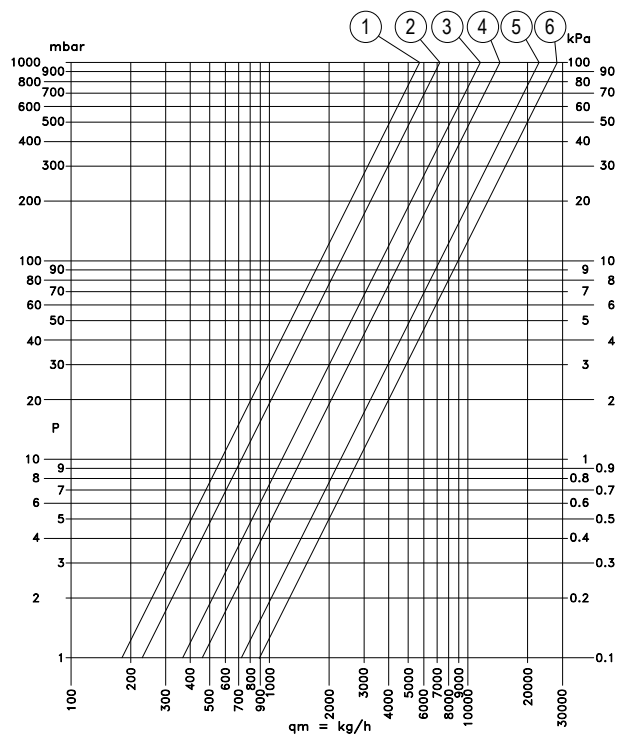
DIMENSIONS



ART.	COD.	DN	L	H	H1	H2	L1	Filtering surface [mm ²]	Porosity [μm]
FI 00	509030	1/2"	118	250	186	165	70	680	100
FI 00	509031	3/4"	118	250	186	165	70	680	100
FI 00	509032	1"	123	280	212	180	72	1180	100
FI 00	509033	1 1/4"	123	280	212	180	72	1180	100
FI 00	509034	1 1/2"	153	320	250	214	98	1720	100
FI 00	509035	2"	153	320	250	214	98	1720	100
FI 003	5090303	1/2"	118	250	186	165	70	680	300
FI 003	5090313	3/4"	118	250	186	165	70	680	300
FI 003	5090323	1"	123	280	212	180	72	1180	300
FI 003	5090333	1 1/4"	123	280	212	180	72	1180	300
FI 003	5090343	1 1/2"	153	320	250	214	98	1720	300
FI 003	5090353	2"	153	320	250	214	98	1720	300

HYDRAULIC FEATURES

Flow rate/pressure drop diagram



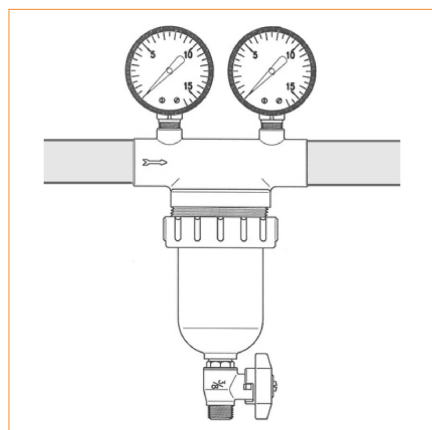
FI 00 - FI 00x

N.	1	2	3	4	5	6
Mod.	1/2"	3/4"	1"	1 1/4"	1 1/2"	2"
Kv	5.7	7.2	11.6	14.4	22.5	28.2

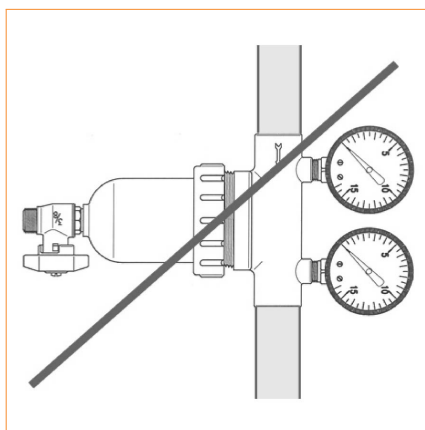
OPERATING INSTRUCTIONS

Installation

It is recommended that the filter is installed in horizontal position, in order to make dirt discharge easier (Fig.1).



(a) Correct mounting.



(b) Mounting not recommended.

Fig. 1: Mounting position.

To protect downward components from damages caused by dirt, the self-cleaning filter should be installed upward the pressure reducing valve.

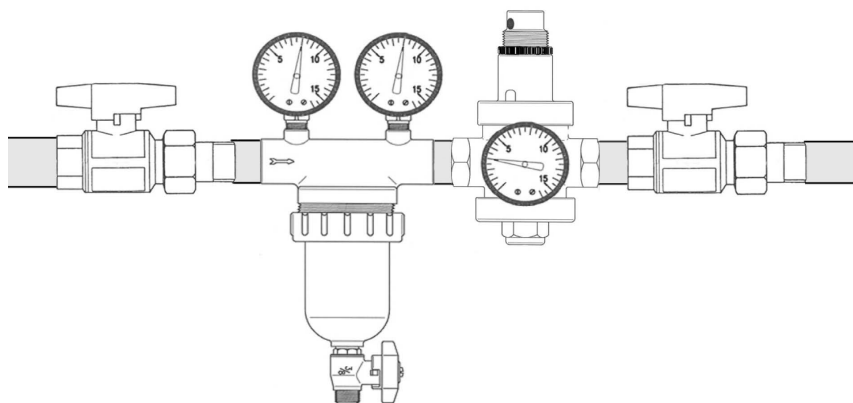


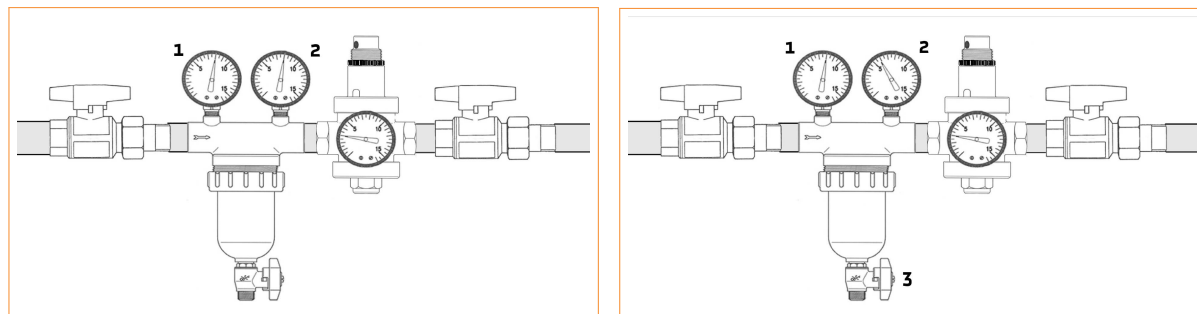
Fig. 2: Installation example.

Checking filter cleanliness and dirt discharge

The cleanliness degree of the filter can be checked by comparing inlet and outlet pressures.

Fig.3a shows that inlet (1) and outlet (2) pressure gauge readings are the same: this indicates the filter is clean.

On the other side, in Fig.3b outlet pressure (2) is lower than inlet pressure (1): this indicates the filter is blocked and that it must be cleaned.



(a) Clean filter ($p_2 = p_1$).

(b) Blocked filter ($p_2 < p_1$).

Fig. 3: Individuation of filter cleanliness degree.

The filter can be cleaned by opening the discharge valve (3 in Fig.3b) and waiting for the automatic cartridge cleaning through dirt discharge. If the filter is still dirty after this operation, it is necessary to close water, cut off the component, disassemble the filter and manually clean the cartridge.

I.V.A.R. S.p.A.
Via IV Novembre 181
25080 Prevalle (BS)
Tel. +39 030 68028
Fax +39 030 6801329
www.ivar.eu - info@ivar.eu

I.V.A.R. S.p.A. reserves the right to make enhancements and changes to products and relative documentation at any time without prior notice. All rights reserved. Reproduction, even partial, is forbidden without prior permission by the copyright owner.